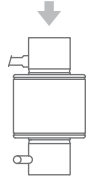
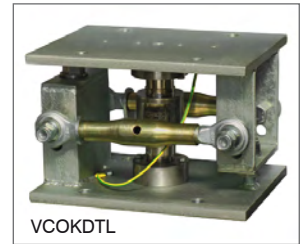




Capacity from 30000 kg to 60000 kg



MOUNTING KITS



VCOKDTL

- 17-4 PH STAINLESS STEEL
- COMBINED ERROR  $\leq \pm 0.013\%$
- PROTECTION CLASS IP68

CAPACITY	kg	ACCURACY CLASS	OIML	IECEx	Ex	EAC	LOAD CELL NET WEIGHT (kg)	CODE
30000		C4	•	•	•	•	2.5	COL30000
60000		C4	•	•	•	•	3.5	COL60000

ON REQUEST

**CERTIFICATIONS**

OIML R60 C4

CERTIFICATIONS ON REQUEST

ATEX II 1GD (zone 0-1-2-20-21-22)

IECEx II 1GD (zone 0-1-2-20-21-22)

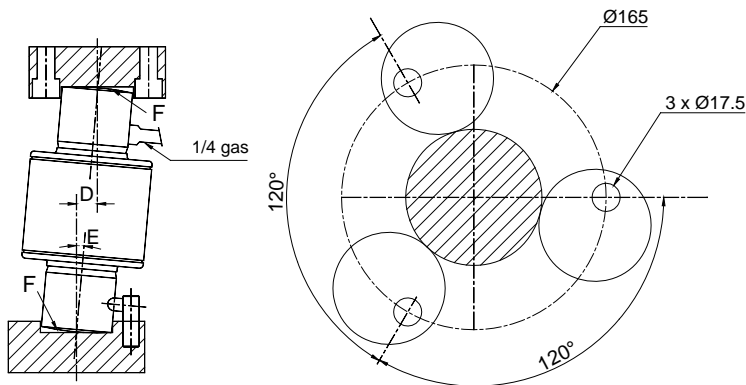
Complies with the Eurasian Custom Union regulations (Russia, Belarus, Kazakhstan)

**COMPLEMENTARY ACCESSORIES**



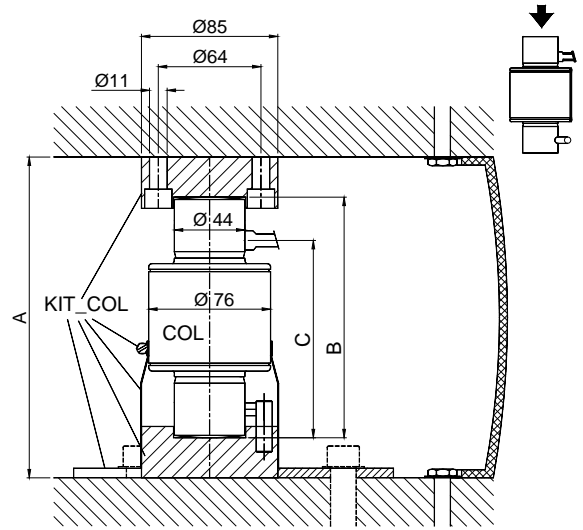
DESCRIPTION	CODE
AISI 420 hardened steel mounting kit composed by rubber sheath, 2 bases (upper and lower) and 3 self-centring cylindrical plates.	KIT_COL

### DIMENSIONS (mm)



	A	B	C	D max.	E (max. angle)	F (curvature radius)	weight
COL 30000	200	150	123	13	5°	160°	2.3 kg
COL 60000	260	210	153	11	3°	220°	3.7 kg

KIT\_COL weight = 3 kg



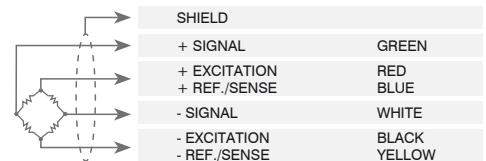
### TECHNICAL FEATURES

Material	17-4 PH stainless steel		
OIML R60 Accuracy class • Verification intervals	C4 • 4000		
Nominal load (E max)	30000		
Minimum verification interval (V min)	E max / 10000		
Combined error	≤ ±0.013%		
Protection class	IP68		
Rated output	2 mV/V ±0.1% *	Input resistance	800 Ω ±30
Temperature effect on zero	0.002% °C	Output resistance	700 Ω ±10
Temperature effect on span	0.0012% °C	Zero balance	±2%
Compensated temperature range	-10 °C / +40 °C	Insulation resistance	>5000 MΩ
Operating temperature range	-30 °C / +70 °C	Safe overload (% of full scale)	120%
Creep at nominal load in 30 minutes	0.016%	Ultimate overload (% of full scale)	200%
Max supply voltage without damage	15 V	Deflection at nominal load	0.6 - 1 mm

\* Calibrated current output

### ELECTRICAL CONNECTIONS

Cable length	20 m
Cable diameter	6 mm
Cores	6 x 0.22 mm <sup>2</sup>



The Company reserves the right to make changes to the technical data, drawings and images without notice.